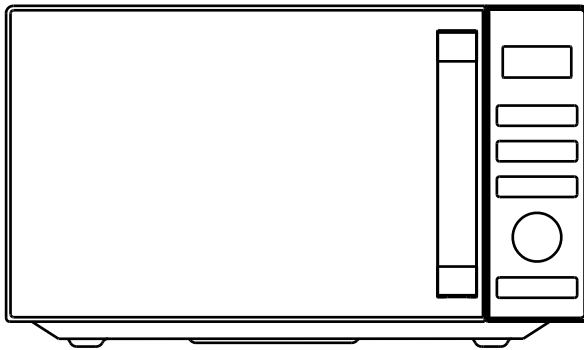


# svan

## Microwave Oven Instructions



Model: SVMW923CX

Please read these instructions carefully before installing and operating the oven.

# Content

<b>CONTENT</b> .....	<b>1</b>
<b>SPECIFICATIONS</b> .....	<b>1</b>
<b>PRECAUTIONS TO AVOID POSSIBLE EXPOSURE TO EXCESSIVE MICROWAVE ENERGY</b> .....	<b>2</b>
<b>IMPORTANT SAFETY INSTRUCTIONS</b> .....	<b>2</b>
<b>INSTALLATION GUIDE</b> .....	<b>5</b>
<b>GROUNDING INSTRUCTIONS</b> .....	<b>6</b>
<b>RADIO INTERFERENCE</b> .....	<b>6</b>
<b>BEFORE CALLING FOR SERVICE</b> .....	<b>7</b>
<b>COOKING TECHNIQUES</b> .....	<b>7</b>
<b>COOKING UTENSILS GUIDE</b> .....	<b>7</b>
<b>PRODUCT DIAGRAM</b> .....	<b>8</b>
<b>CONTROL PANEL</b> .....	<b>9</b>
<b>OPERATION INSTRUCTIONS</b> .....	<b>10</b>
SETTING CLOCK TIME .....	10
QUICK START .....	10
MICROWAVE COOKING .....	10
GRILL .....	11
COMBINATION.....	11
PRESET .....	11
AUTO DEFROST .....	12
SPEED DEFROST.....	12
CHILD LOCK .....	12
AUTO COOK.....	12
<b>CLEANING AND CARE</b> .....	<b>13</b>

# Specifications

Power Consumption:	230-240V/50Hz, 1400W(Microwave)
	1000W(Grill)
Rated Microwave Power Output:	900W
Operation Frequency:	2450MHz
Outside Dimensions:	287mm(H)×490mm(W)×410mm(D)
Oven Cavity Dimensions:	197mm(H)×340mm(W)×338mm(D)
Oven Capacity:	23Litres
Net Weight:	Approx.14kg

# PRECAUTIONS TO AVOID POSSIBLE EXPOSURE TO EXCESSIVE MICROWAVE ENERGY

1. Do not attempt to operate this oven with the door open since open-door operation can result in harmful exposure to microwave energy. It is important not to defeat or tamper with the safety interlocks.
2. Do not place any object between the oven front face and the door or allow soil or cleaner residue to accumulate on sealing surfaces.
3. Do not operate the oven if it is damaged. It is very important that the oven door close properly and that there is no damage to the
  - a) Door (including any bent),
  - b) Hinges and latches (broken or loosened),
  - c) Door seals and sealing surfaces.
4. The oven should not be adjusted or repaired by anyone except qualified service personnel.

# IMPORTANT SAFETY INSTRUCTIONS

When using electrical appliance basic safety precautions should be followed, including the following:

**WARNING!**--To reduce the risk of burns, electric shock, fire, injury to persons or exposure to excessive microwave energy:

1. Read all instructions before using the appliance and keep for future reference.
2. Use this appliance only for its intended use as described in the manual. Do not use corrosive chemicals or vapors in this appliance. This type of oven is specifically designed to heat, cook or dry food. It is not designed for industrial or laboratory use.
3. Do not operate the oven when empty.
4. Do not operate this appliance if it has a damaged cord or plug, if it is not working properly, or if it has been damaged or dropped. If the supply cord is damaged, it must be replaced by the manufacturer or its service agent or a similarly qualified person in order to avoid a hazard.

5. **WARNING!**--Only allow children to use the oven without supervision when adequate instructions have been given so that the child is able to use the oven in a safe way and understands the hazards of improper use.
6. **WARNING!**--When the appliance is operated in the combination mode, children should only use the oven under adult supervision due to the temperatures generated
7. To reduce the risk of fire in the oven cavity:
  - When heating food in plastic or paper container, check the oven frequently to the possibility of ignition.
  - Remove wire twist-ties from paper or plastic bags before placing bag in oven.
  - If smoke is observed, switch off or unplug the appliance and keep the door closed in order to stifle any flames.
  - Do not use the cavity for storage purposes. Do not leave paper products, cooking utensils, or food in the cavity when not in use.
  - The microwave oven is intended for heating food and beverages. Drying of clothing and heating of warming pads, slippers, sponges, damp cloth and similar may lead to risk of injury, ignition or fire.
8. **WARNING!**--Liquid or other food must not be heated in sealed containers since they are liable to explode.
9. Microwave heating of beverage can result in delayed eruptive boiling, therefore care has to be taken when handle the container.
10. Do not fry food in the oven. Hot oil can damage oven parts and utensils and even result in skin burns.
11. Eggs in their shell and whole hard-boiled eggs should not be heated in microwave ovens since they may explode even after microwave heating has ended.
12. Pierce foods with heavy skins such as potatoes, whole squashes, apples and chestnuts before cooking.
13. The contents of feeding bottles and baby jars should be stirred or shaken and the temperature should be checked before serving in order to avoid burns.
14. Cooking utensils may become hot because of heat transferred from the heated food. Potholders may be needed to handle the utensil.
15. Utensils should be checked to ensure that they are suitable for use in microwave oven.
16. **WARNING!**--It is hazardous for anyone other than a trained person to carry out any service or repair operation which involves the removal of any cover which gives protection against exposure to microwave energy.
17. This Microwave complies with EN 55011/CISPR 11, in this standard it belong to

Class B Group 2 classification. Group 2 equipment: group 2 contains all ISM RF equipment in which radio-frequency energy in the frequency range 9 kHz to 400 GHz is intentionally generated and used or only used locally, in the form of electromagnetic radiation, inductive and/or capacitive coupling, for the treatment of material, for inspection/analysis purposes, or for transfer of electromagnetic energy. Class B equipment is equipment suitable for use in locations in residential environments and in establishments directly connected to a low voltage power supply network which supplies buildings used for domestic purposes.

18. This appliance is not intended for use by persons (including children) with reduced physical, sensory or mental capabilities, or lack of experience and knowledge, unless they have been given supervision or instruction concerning use of the appliance by a person responsible for their safety.
19. Children should be supervised to ensure that they do not play with the appliance.
20. The microwave oven is only used in freestanding.
21. **WARNING!**--Do not install oven over a range cook top or other heat-producing appliance. if installed could be damaged and the warranty would be avoid .
22. The microwave oven shall not be placed in a cabinet.
23. The door or the outer surface may get hot when the appliance is operating.
24. **WARNING!**--Accessible parts may become hot during use. Young children should be kept away.
25. During use the appliances becomes hot. Care should be taken to avoid touching heating elements inside the oven, for cooking ranged and ovens.
26. The temperature of accessible surfaces may be high when the appliance is operating.
27. Appliance is not to be used by children or persons with reduced physical, sensory or mental capabilities, or lack of experience and knowledge, unless they have been given supervision or instruction.
28. **WARNING!**--If the door or door seals are damaged, the oven must not be operated until it has been repaired by a competent person.
29. The instructions shall state that appliances are not intended to be operated by means of an external timer or separate remote-control system.
30. The microwave oven is for household use only and not for commercial use.
31. Never remove the distance holder in the back or on the sides, as it ensures a minimum distance from the wall for air circulation.
32. Please secure the turntable before you move the appliance to avoid damages.
33. **CAUTION!**--It is dangerous to repair or maintain the appliance by no other than

a specialist because under these circumstances the cover have to be removed which assures protection against microwave radiation. This applies to changing the power cord or the lighting as well. Send the appliance in these cases to our service centre.

34. The microwave oven is intended for defrosting, cooking and steaming of food only.
35. Use gloves if you remove any heated food.
36. Caution! Steam will escape, when opening lids or wrapping foil.
37. This appliance can be used by children aged from 8 years and above and persons with reduced physical, sensory or mental capabilities or lack of experience and knowledge if they have been given supervision or instruction concerning use of the appliance in a safe way and understand the hazards involved. Children shall not play with the appliance. Cleaning and user maintenance shall not be made by children unless they are aged from 8 years and above and supervised.
38. If smoke is emitted, switch off or unplug the appliance and keep the door closed in order to stifle any flames.

## Installation Guide

1. Make sure that all the packing materials are removed from the inside of the door.
2. **WARNING!**--Check the oven for any damage, such as misaligned or bent door, damaged door seals and sealing surface, broken or loose door hinges and latches and dents inside the cavity or on the door. If there is any damage, do not operate the oven and contact qualified service personnel.
3. This microwave oven must be placed on a flat, stable surface to hold its weight and the heaviest food likely to be cooked in the oven.
4. Do not place the oven where heat, moisture, or high humidity are generated, or near combustible materials.
5. For correct operation, the oven must have sufficient airflow. Allow minimum 20cm of free space necessary above the top surface of the oven and 5cm at both sides. The microwave oven rear plate must be placed close to the wall. Do not cover or block any openings on the appliance. Do not remove feet.
6. Make sure that the power supply cord is undamaged and does not run under the oven or over any hot or sharp surface.
7. The socket must be readily accessible so that it can be easily unplugged in an

emergency.

8. Do not use the oven outdoors.

## GROUNDING INSTRUCTIONS

This appliance must be grounded. This oven is equipped with a cord having a grounding wire with a grounding plug. It must be plugged into a wall receptacle that is properly installed and grounded. In the event of an electrical short circuit, grounding reduces risk of electric shock by providing an escape wire for the electric current. It is recommended that a separate circuit serving only the oven be provided. Using a high voltage is dangerous and may result in a fire or other accident causing oven damage.

**WARNING!**--Improper use of the grounding plug can result in a risk of electric shock.

Note:

1. If you have any questions about the grounding or electrical instructions, consult a qualified electrician or service person.
2. Neither the manufacturer nor the dealer can accept any liability for damage to the oven or personal injury resulting from failure to observe the electrical connection procedures.

The wires in this cable main are colored in accordance with the following code:

**Green and Yellow = EARTH**

**Blue = NEUTRAL**

**Brown = LIVE**

## Radio Interference

Operation of the microwave oven can cause interference to your radio, TV, or similar equipment. When there is interference, it may be reduced or eliminated by taking the following measures:

1. Clean door and sealing surface of the oven.
2. Reorient the receiving antenna of radio or television.
3. Relocate the microwave oven with respect to the receiver.
4. Move the microwave oven away from the receiver.
5. Plug the microwave oven into a different outlet so that microwave oven and receiver are on different branch circuits.

# Before Calling For Service

Before asking for service, please check each item below:

- Check to ensure the oven is plugged in securely. If not, remove the plug from the outlet, wait 10 seconds, and plug it in again securely.
- Check for a blown circuit fuse or a tripped main circuit breaker. If these seem to be operating properly, test the outlet with another appliance.
- Check to ensure the control panel is programmed correctly and the timer is set.
- Check to ensure the door is securely closed, engaging the door lock system. If the door is not properly closed, the microwave energy will not flow inside.

IF NONE OF THE ABOVE RECTIFIES THE SITUATION, THEN CONTACT A QUALIFIED TECHNICIAN. DO NOT TRY TO ADJUST OR REPAIR THE OVEN YOURSELF.

# Cooking Techniques

1. Arrange food carefully. Place thickest areas towards outside of dish.
2. Watch cooking time. Cook for the shortest amount of time indicated and add more as needed. Food severely overcooked can smoke or ignite.
3. Cover foods while cooking. Covers prevent spattering and help foods to cook evenly.
4. Turn foods over once during microwave cooking to speed cooking of such foods as chicken and hamburgers. Large items like roasts must be turned over at least once.
5. Rearrange foods such as meatballs halfway through cooking both from top to bottom and from the center of the dish to the outside.

# Cooking Utensils Guide

1. Microwave cannot penetrate metal. Only use utensils that are suitable for use in microwave ovens. Metallic containers for food and beverages are not allowed during microwave cooking. This requirement is not applicable if the manufacturer specifies size and shape of metallic containers suitable for microwave cooking.
2. Microwave cannot penetrate metal, so metal utensils or dishes with metallic trim should not be used.



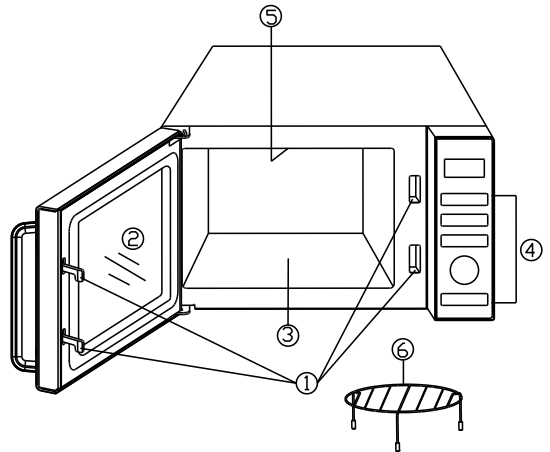
3. Do not use recycled paper products when microwave cooking, as they may contain small metal fragments which may cause sparks and/or fires.
4. Round /oval dishes rather than square/oblong ones are recommend, as food in corners tends to overcook.
5. Narrow strips of aluminum foil may be used to prevent overcooking of exposed areas. But be careful don't use too much and keep a distance of 1 inch (2.54cm) between foil and cavity.

The list below is a general guide to help you select the correct utensils.

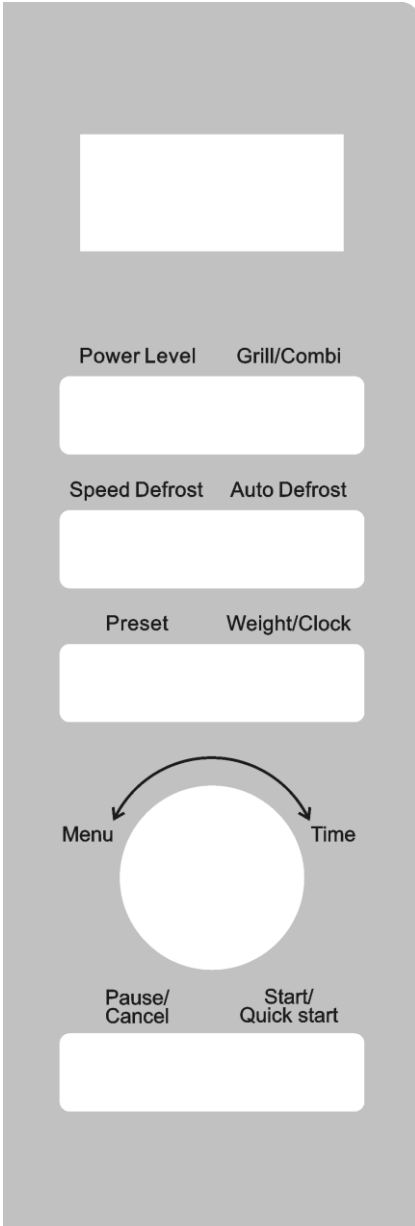
COOKWARE	MICROWAVE	GRILL	COMBINATION
Heat-Resistant Glass	Yes	Yes	Yes
Non Heat-Resistant Glass	No	No	No
Heat-Resistant Ceramics	Yes	Yes	Yes
Microwave-Safe Plastic Dish	Yes	No	No
Kitchen Paper	Yes	No	No
Metal Tray	No	Yes	No
Metal Rack	No	Yes	No
Aluminum Foil & Foil Containers	No	Yes	No

## Product Diagram

1. Door Safety Lock System
2. Oven Window
3. Cavity Floor
4. Control Panel
5. Grill Heater
6. Metal Rack



# Control Panel



## ● MENU ACTION SCREEN

Cooking time, power, action indicators are displayed.

## ● POWER LEVEL

Press to set microwave cooking power level.

## ● PRESET

Press set preset function.

## ● WEIGHT/CLOCK

Press to set clock time.

Press to set food weight or servings.

## ● GRILL/COMBI

Press to set grill program.

Press to set combination program.

## ● SPEED DEFROST

Press to set defrost program based on time.

## ● AUTO DEFROST

Press to set defrost program based on weight.

## ● PAUSE/CANCEL

Press to reset the oven before setting a cooking program.

Press once to temporarily stop cooking, or twice to cancel cooking altogether.

## ● MENU/TIME(knob)

Turn the knob to enter time.


Turn the knob to select an auto cook menu.

## ● START/QUICK START

Press once to start a cooking program.

Simply press it a number of times to set cooking time and cook immediately at full power level.

# Operation Instructions

- When the oven first plugged in, beep will sound and the display will show "1:01", "".
- In the process of setting, broken about 30 seconds the oven will return to standby mode..
- During cooking, if press PAUSE/CANCEL button once, the program will be paused, then press START/QUICK START button to resume, but if press PAUSE/CANCEL button twice, the program will be canceled.
- After cooking end, the screen will display End with sound every two minutes until you press PAUSE/CANCEL button or open the door.

## SETTING CLOCK TIME

---

This is a 12- or 24- hour clock. You can choose to set the clock time in 12- or 24- hour by pressing the WEIGHT/CLOCK button.

1. In standby mode, press WEIGHT/CLOCK button once or twice to select 12- or 24-hour clock.
2. Turn MENU/TIME knob to set hour digit.
3. Press WEIGHT/CLOCK button once to confirm the hour setting.
4. Turn MENU/TIME to set minute digit.
5. Press WEIGHT/CLOCK button once to confirm the setting.

**NOTE:** During cooking, you can check the current time of the clock by pressing WEIGHT/CLOCK button.

## QUICK START

---

Use this feature to program the oven to microwave food at 100% power conveniently. In standby mode, just press the START/QUICK START a number of times to set cooking time (each press to increase 30 seconds, and up to 10 minutes), the oven starts working automatically at full power.

**NOTE:** During cooking, you can also add cooking time by pressing the START/QUICK START button.

## MICROWAVE COOKING

---

1. In standby mode, press POWER LEVEL button repeatedly to set power level.
2. Turn MENU/TIME knob to enter cooking time. The longest time is 95 minutes.
3. Press START/QUICK START to confirm.

### Press POWER LEVEL button to set a cooking power level:

Press POWER LEVEL button	Power	Press POWER LEVEL button	Power
Once	100%	7 times	40%
Twice	90%	8 times	30%
3 times	80%	9 times	20%
4 times	70%	10 times	10%
5 times	60%	11 times	0%
6 times	50%		

**NOTE:** During cooking, you can check the cooking power level by pressing POWER LEVEL button.

### GRILL

---

Grill cooking is particularly useful for thin slices of meat, steaks, chops, kebabs, sausages and pieces of chicken. It is also suitable for hot sandwiches and au gratin dishes.

1. In standby mode, press GRILL/COMBI button once.
2. Turn MENU/TIME knob to enter cooking time. The longest time is 95 minutes.
3. Press START/QUICK START to confirm.

### COMBINATION

---

Grill works more time than microwave in combination 1 cooking mode, use for fish and au gratin. But microwave works more time than grill in combination 2 cooking mode, use for pudding, omelets, baked potatoes and poultry.

1. In standby mode, press GRILL/COMBI button twice or thrice to select "Co-1" or "Co-2"
2. Turn MENU/TIME knob to enter cooking time. The longest time is 95 minutes.
3. Press START/QUICK START to confirm button.

### PRESET

---

This function allows you to set the oven to start a cooking program in a later time.

1. Input a cooking program (except quick start, auto defrost and speed defrost program).
2. Press PRESET button once.
3. Turn MENU/TIME knob to set hour digit.
4. Press PRESET button once.
5. Turn MENU/TIME knob to set minute digit.

6. Press PRESET to confirm.

**NOTE:** In preset mode, you can check the preset time by pressing PRESET button once. You can also cancel the preset program by pressing PAUSE/CANCEL button when the preset time is showing.

## **AUTO DEFROST**

---

The defrosting time and power level are automatically set once the food weight is programmed. The frozen food weight ranges from 100 g to 1800 g.

1. In standby mode, press AUTO DEFROST button once.
2. Press WEIGHT/CLOCK repeatedly to select food weight.
3. Press START/QUICK START to confirm.

**NOTE:** During defrosting program, the system will pause and sound to remind user to turn food over, and then press START/QUICK START button to resume.

## **SPEED DEFROST**

---

1. In standby mode, press SPEED DEFROST button once.
2. Turn MENU/TIME knob to set defrosting time. The longest time is 95 minutes.
3. Press START/QUICK START to confirm.

**NOTE:** During defrosting program, the system will pause and sound to remind user to turn food over, and then press START/QUICK START to confirm button to resume.

## **CHILD LOCK**

---

Use to prevent unsupervised operation of the oven by children.

- To set the child proof lock: In standby mode, if there is not any operation within one minute, the oven will auto enter child lock mode and the lock indicator light will turn on. In the lock state, all buttons are disabled.
- To cancel the child proof lock: In child lock mode, open or close the oven door to cancel the program and the lock indicator light will turn off.

## **AUTO COOK**

---

For food or the following cooking mode, it is not necessary to program the cooking time and power. It is sufficient to indicate the type of food that you wish to cook as well as the weight or servings of the food.

1. In standby mode, turn MENU/TIME knob anti-clockwise once, and then turn it again to select food code.
2. Press WEIGHT/CLOCK button repeatedly to select food weight or servings.
3. Press START/QUICK START to confirm.

### Auto cook menus:

Code	Food	
A-01	Milk/Coffee (200 ml/cup, 1-3 cups)	<ol style="list-style-type: none"><li>1. For Milk/Coffee and Potatoes, the screen will show the number of servings instead of food weight.</li><li>2. For items A-07, A-08 and A-09, the oven stops during cooking to let the user to turn food over for uniform cooking and then press START/QUICK START to finish the remaining time.</li><li>3. The result of auto cooking depends on factors such as voltage fluctuation, the shape and size of food, your personal preference as to the doneness of certain foods and even how well you happen to place food in the oven. If you find the result at any rate not quite satisfactory, please adjust the cooking time a little bit accordingly.</li></ol>
A-02	Rice (150-600 g)	
A-03	Spaghetti (100-300 g)	
A-04	Potatoes (230 ± 10 g/serving, 1-2 servings)	
A-05	Auto Reheat (200-800 g)	
A-06	Fish (200-600 g)	
A-07	Chicken (800-1400 g)	
A-08	Beef/Mutton (200-600 g)	
A-09	Skewered Meat (100-500 g)	

## Cleaning and Care

1. Turn off the oven and unplug the power cord from the wall when cleaning.
2. Keep the inside of the oven clean. When food splatters or spilled liquids adhere to oven walls, wipe with a damp cloth. Mild detergents may be used if the oven gets very dirty. Avoid using spray or other harsh cleaners. They may stain, streak or dull the door surface.
3. The outside of the oven should be cleaned with a damp cloth. To prevent damage to the operating parts inside the oven, water should not be allowed to seep into the ventilation openings.
4. Wipe the door and window on both sides, the door seals and adjacent parts frequently with a damp cloth to remove any spills or spatters. Do not use abrasive cleaner.
5. A steam cleaner is not be used.
6. Do not allow the control panel to become wet. Clean with a soft, damp cloth. When cleaning the control panel, leave oven door open to prevent oven from accidentally turning on.

7. If steam accumulates inside or around the outside of the oven door, wipe with a soft cloth. This may occur when the microwave oven is operated under high humidity condition. And it is normal.
8. The oven floor should be cleaned regularly to avoid excessive noise. Simply wipe the bottom surface of the oven with mild detergent..
9. Remove odors from your oven by combining a cup of water with the juice and skin of one lemon in a microwaveable bowl. Microwave for 5 minutes. Wipe thoroughly and dry with a soft cloth.
10. If the light bulb burns out, please contact customer service to have it replaced.
11. The oven should be cleaned regularly and any food deposits should be removed. Failure to maintain the oven in a clean condition could lead to deterioration of surface that could adversely affect the life of the unit and could possibly result in a hazardous situation.
12. Please do not dispose of this appliance into the domestic rubbish bin; it should be disposed to the particular disposal center provided by the municipalities.
13. When the microwave oven with grill function is first used, it may produce slight smoke and smell. This is a normal phenomenon, because the oven is made of a steel plate coated with lubricating oil, and the new oven will produce fumes and odor generated by burning the lubricating oil. This phenomenon will disappear after a period of using.

# DISPOSAL

Dispose of the packaging material of the dishwasher correctly. All packaging materials can be recycled. The plastic parts are marked with the international standard abbreviations: (for example, PS for polystyrene, filler material) This device is identified according to the European Directive 2012/19 / EU on waste electrical and electronic equipment -WEEE. The guide specifies the framework for a valid return and reuse of old appliances throughout the EU.

**Warning!**The packaging material could be dangerous for children! To dispose of the package and the device, go to a recycling center. Cut off the power cord and leave the door lock device unusable. The cardboard packaging is made with recycled paper and must be disposed of in the appropriate container for recycling. By ensuring that this product is disposed of correctly, it will help to avoid possible negative consequences for the environment and human health, which could otherwise be caused by the improper use of the waste of this product. For more detailed information about recycling this product, contact your local city office and your household waste disposal service.



The user manual can also be check and download from our website:

<https://www.svanelectro.com/>

SVAN TRADING S.L.  
C/ Ciudad de Cartagena, 20.  
Paterna (46988). SPAIN.  
info@svanelectro.com  
960600034